

## PRODUCT IMAGE



## ALTERNATE VIEWS



## FEATURES AND KEY PRODUCT INFORMATION

- ▶ Complete control of cold storage air curtain, including fan speed, fan mode, timing and other functionality
- ▶ 2.8-inch High-Speed LCD Touch Screen
- ▶ Ideal for daily operation of high speed and cold storage doors that face issues related to fog, condensation and moisture build up
- ▶ Eliminates need for multiple remote or unit mounted switches
- ▶ Adjustable cycle timer can be customized to ensure fans provide maximum benefit against build-up of condensation and moisture on the door and floor, reducing downtime while increasing safety
- ▶ Remote mounting with POE (power of Ethernet) capability makes adjustments extremely easy (no ladder or forklift required)
- ▶ Lockable home screen

## APPLICATION NOTES

- CR1220 battery stores time settings in event of power failure
- Mounts remotely (direct mount optional)
- All screens (except home screen) feature back button to return to previous screen
- Preset at factory to pair with air curtain and application requirements
- Screen indicators provide real-time operational status
- Screen can be set to display in English, Spanish or French

QUESTIONS & TECHNICAL SUPPORT AVAILABLE. CONTACT US DIRECTLY:

Phone Support  
1-888-321-Aire (2473)

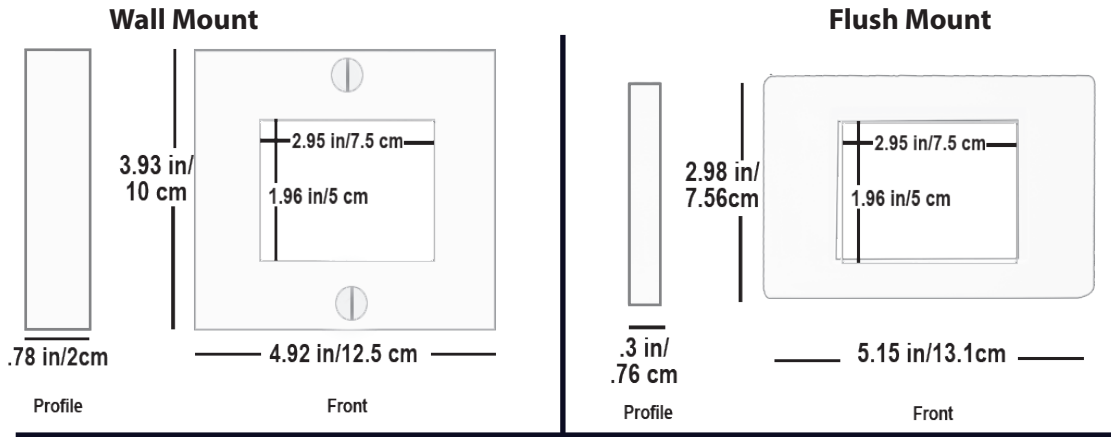
Email Support & Service  
CustomerService@PoweredAire.com

Sales Questions  
Sales@PoweredAire.com

# Aire Controller 3.0 - CAC Technical Data

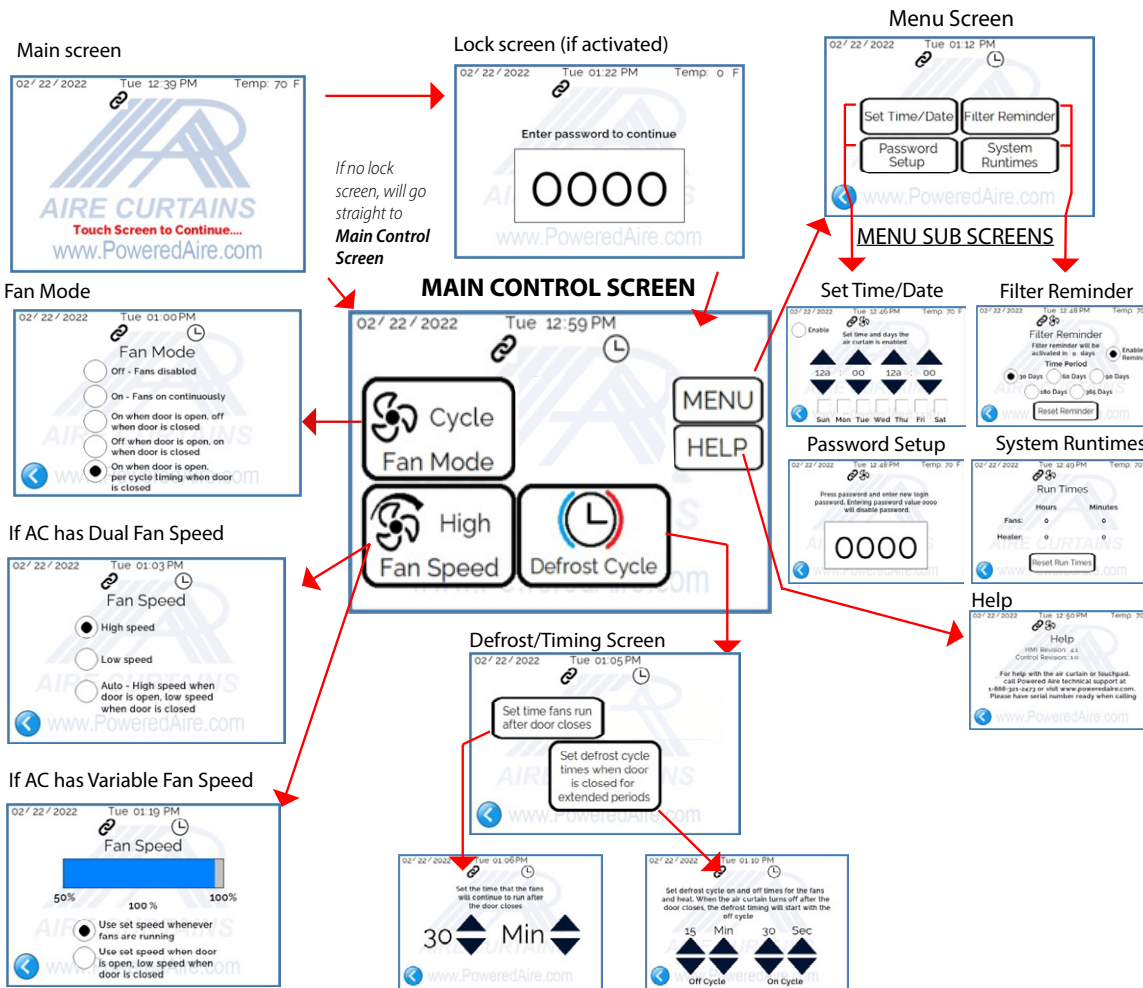


## PRODUCT DRAWINGS



## Touchpad Performance

Hardware	
CPU	32-bit RISC CPU
Real Time Clock (RTC)	Yes
Communication Interface	
RJ-45 Port	Serial over Ethernet
Protocol	Custom
MMI (Man Machine Interface)	
LCD	3.5" TFT (Resolution 480x320 pixels 65535 colors)
Backlight Life	>30,000 hours
Brightness	180 nit
Touch Panel	Resistive Touch
Electrical	
Power Input	24VDC (through RJ-45 port)
Power Consumption	2.5W @ 5VDC
Mechanical	
Dimensions (wall) (W x L x H)"	5" x 4" x .75"
Installation	Wall Mount or Air Curtain Mount
Ingress Protection	IP40
Environmental	
Operating Temperature	"-20°C~+70°C (-4°F~+158°F)"
Storage Temperature	"-30°C~+85°C (-22°F~+185°F)"
Ambient Relative Humidity	10% - 90% non-condensing



QUESTIONS & TECHNICAL SUPPORT AVAILABLE. CONTACT US DIRECTLY:

Phone Support  
1-888-321-Aire (2473)

Email Support & Service  
CustomerService@PoweredAire.com

Sales Questions  
Sales@PoweredAire.com